

Frequently Asked Questions



The Power Of The Remote

With your Interactive Programming Guide (the guide) from Mediacom, you have total command over everything appearing on your television screen. In addition to facilitating easy and thorough navigation, your remote allows you to order On Demand and Pay-Per-View programming as well as operate Digital Video Recording (DVR).

Your remote also allows you to set program reminders, parental guides and a diversity of other helpful functions.

What is the Interactive Guide?*

The guide is a new and improved programming guide through your remote control. It unlocks a world of greater choice, convenience and control as you watch television.

What can I do with the Interactive Guide?

You can set **Reminders**, **Favorites** and **Parental Locks**. You will have access to Mediacom On Demand and Digital Video Recording.

How do I get information on programs?

The guide provides detailed information on all programs, including movies and sporting events. While in a listings screen, you can access information by pressing the **INFO** button on your remote. You can also set **Reminders**, place **Parental Locks**, order Pay-Per-View movies or events and see other times a program airs. To return to the program you're watching, press the **EXIT** button on the remote.

What are the icons at the bottom of the Interactive Guide screen?

Quick Menu icons are available to help you search faster. The **Quick Menu** gives you access to other areas of the guide, such as **Movies** or **Favorites**. Once you have selected a program title by highlighting it and pressing **OK**, you can use the action icons on the information screens to set **Reminders** or **Parental Locks**, schedule recordings, buy programs and more.

How can I eliminate the edges of the Interactive Guide screens?

Select the **ADJUST SCREEN POSITION** option from the **SETUP** screen. Press the **◀ ▶** buttons until the arrows on the screen are centered.

How do I leave a screen or menu?

You can always press the **EXIT** button to immediately return to watching TV. You can also press the **LAST** button to back up one screen at a time.

What is the graphic bar that appears when I change channels?

The **Flip Bar** appears for a few seconds as you're changing channels to provide important information about programs. You will find the name of the current program, start and end times, as well as the channel number.

Why won't my remote control respond when I press a button?

First, press the **CABLE** button on the remote to make sure it is in cable mode. Try using the remote again. If the remote is still not functioning correctly, press the **CHAN ▲ ▼** button on the front of the receiver. If the channel changes, there is a problem with the remote control. If the channel doesn't change, the batteries or the remote control itself may need to be replaced.

How do I order On Demand?*

You can order On Demand programming multiple ways: from the **Main Menu**, from the **Quick Menu** or from channel one in the **TV Listings**.

How do I order a Pay-Per-View event?

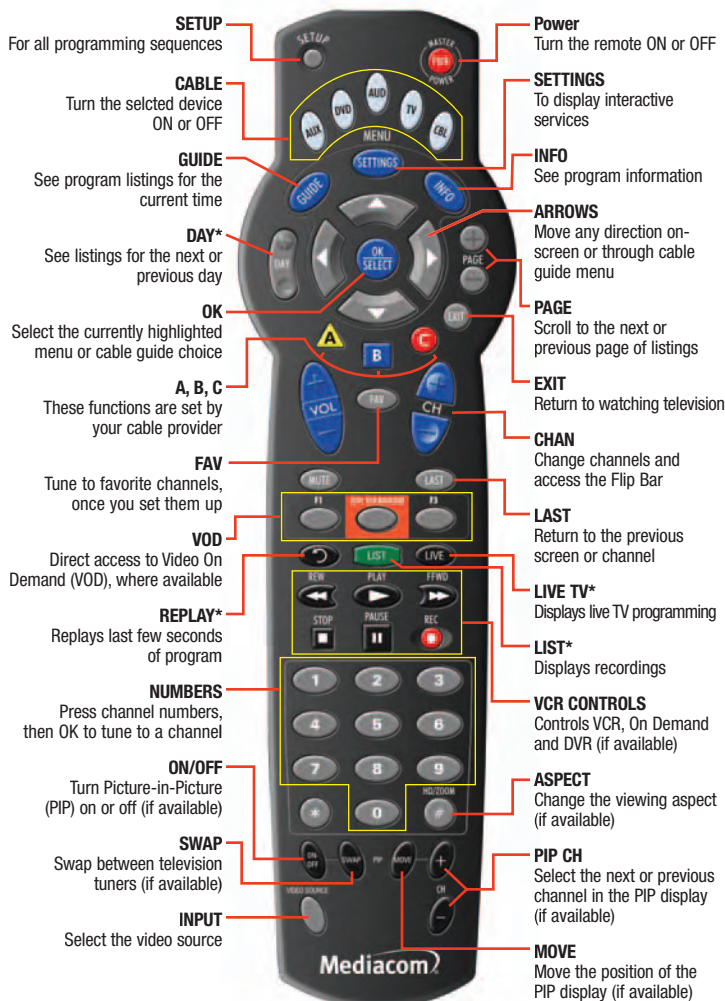
Ordering Pay-Per-View movies and events is easy. From the **Main Menu** or **Quick Menu**, select any of the Pay-Per-View options to see a list of available programs. Use your remote to get detailed information and order. You can even cancel your selection. If your Pay-Per-View program is scheduled to air at a future time, a **Reminder** is automatically set to appear before your program begins.

* Not all services available in all areas. Additional equipment may be required. Additional fees may apply.

Basic Operations

1 Remote Control Features

- A **yellow highlight** is your indicator as you use your remote to see what's on TV. As you navigate listings using your remote, the highlight appears on screen to indicate your current selection.
- Press the **▲ ▼ ▶ ◀** buttons on your remote to move the highlight.
- Press **OK** to make your selection.
- Press the **EXIT** button on your remote to return to watching TV.



NOTE: Remote pictured may not reflect your actual remote. Basic functions should be the same. Find device code information beginning on page 55 of this guide.

*Only available with DVR service.

2 Remote Control Features — Basic Navigation

- Yellow is always the highlight color.
- As you navigate listings using the remote, the highlight appears on screen to indicate the current selection.
- Press the **▲ ▼ ▶ ◀** buttons to move the highlight.
- Press **OK** to make a selection.
- Press the **EXIT** button to resume watching TV.



3 Quick Menu: Quick and Easy

The **Quick Menu** offers shortcuts to key Interactive Guide features. Just press **MENU** from anywhere in the guide – even while you're watching a program – and you'll have access to features like **Search**, **Favorites**, **Digital Music** and more.



Press the **MENU** buttons on your remote to highlight an option; then press **OK** and you're on your way.

4 All Access with Main Menu

Main Menu gives you easy access to all features. Simply press **MENU** twice; then select from the options available, including **Listings By Time**, **Listings By Category**, **Parental Locks**, **Favorites**, **Local Weather** and more.



Press **MENU** button twice for the **Main Menu**.

5 Enhanced Searching by Category

With the Interactive Guide, you can sort and view program **Listings By Category**. Select a category from the **Main Menu** or **Quick Menu** to display listings.



6 Enhanced Searching by Title

A-Z Title Search allows you to find a specific program by entering the first few letters of the program name.



Basic Operations, Continued

7 Smart Channel Surfing

The **Flip Bar** lets you see program information as you change channels.



8 Easy-to-Understand Listings

TV Listings appear in a grid format with channel numbers and network call letters down the left side and, at times, along the top. Listings are color-coded to help you identify different types of programs.



Blue – Regular programs **Green** – Sports
Light Blue – Children's programs **Purple** – Movies

9 Mini Guide

The **Mini Guide** lets you watch television and view listings without having to leave your program. To access, press **OK** or **INFO**; then use the **◀ ▶** buttons to browse time and the **▲ ▼** buttons to browse channels.



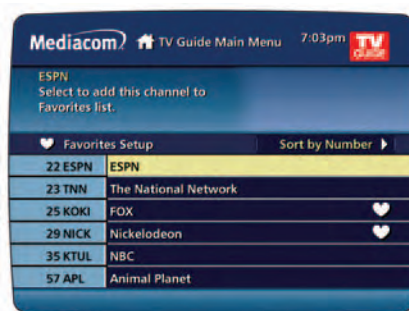
10 Parental Locks to Protect Your Family

Parental Locks let you restrict viewing and purchases of TV programming based on your preferences. Set a personalized 4-digit PIN and you can place locks on selected ratings, channels and titles. You can also hide adult titles from being displayed on screen.



11 Play Favorites

The **Interactive Guide Favorites** feature lets you quickly access the channels you've designated for that category. Just select **Favorites** from the **Main Menu** or **♥** from the **Quick Menu**.



12 How to Use Your Cable Box and VCR to Record Future Programs

- Select the program you want to record from the **TV Listings**.
- Press **INFO** to bring up the program information screen.
- Select the **Ⓡ** icon from the bottom of the screen.
- Select **Record Future Program**.
- Once the cable box is set, a message will display reminding you to also set your VCR to record the program.
- Turn on your VCR and follow the manufacturer's instructions to program it to record the program.
- When the program starts, your cable box will automatically tune to the program so that your VCR can record it. After you set up a recording on your cable box, you must also set up your VCR to record, following the manufacturer's instructions. If you try to change channels while recording a program, the following message will display: "Your recording is in progress. Changing the channel will stop this recording." However, if your VCR is still on and you do change the channel, the VCR will record the new channel that you tune to.

Guide Symbols to Know: Quick Menu Icons

Guide Main Menu	Favorites List	Listings By Channel	On Demand Menu	Listings By Time	Pay-Per-View by Title
Search Menu	Kids Search Menu	Message Center	Digital Music Listings	Guide Setup Menu	
Pay-Per-View Listings	Sports Search Menu	Digital Recordings	Movies Search Menu	Pay-Per-View Events	

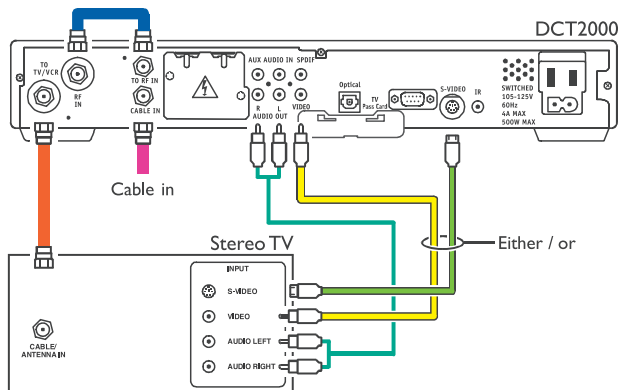
Guide Symbols to Know: Action Icons

Go back to the previous screen	Record/change Record options	Display all the times the program will be airing	Save the channel in your Favorites list
Watch this program	Place a Lock on the program to restrict viewing	Set a Reminder for this program	Order Pay-Per-View and other pay services

Menu selections may vary by service area.

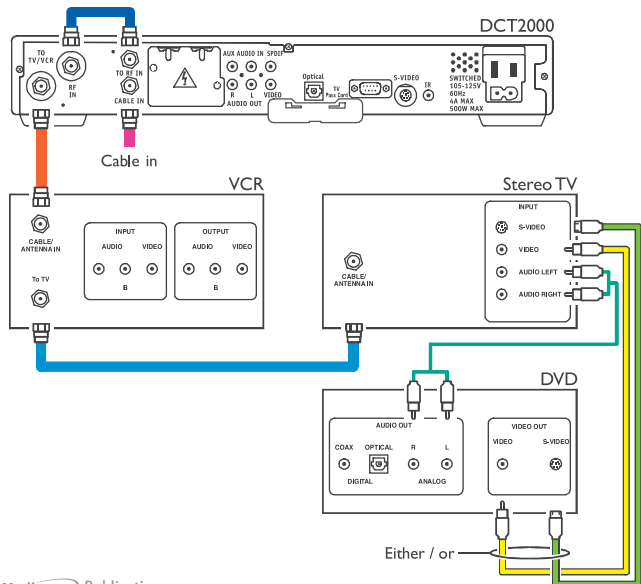
13 Connecting to Your Digital Converter

- Step 1:** Connect a RF coaxial cable between the cablewall outlet and the CABLE IN connector on the DCT2000.
- Step 2:** Connect the RF coaxial cable, supplied with the DCT2000, between the RF IN and TORF IN connectors on the DCT2000.
- Step 3:** Connect a RF coaxial cable between the TOTV/VCR connector on the DCT2000 and the CABLE/ANTENNA IN connector on the TV.
- Step 4:** Connect a stereo audio cable between the AUDIO R and L connectors on the DCT2000 and the AUDIO LEFT and AUDIO RIGHT connectors on the stereo TV.
- Step 5:** Connect a video cable between the VIDEO connector on the DCT2000 and the VIDEO connector on the TV or connect an S-VIDEO cable between the S-VIDEO connector on the DCT2000 and the S-VIDEO connector on the stereo TV.



14 Connecting to Your VCR and/or DVD

- Step 1:** Connect an RF coaxial cable between the cable wall outlet and the CABLE IN connector on the DCT2000.
- Step 2:** Connect the RF coaxial cable, supplied with the DCT2000, between the RF IN and TORF IN connectors on the DCT2000.
- Step 3:** Connect an RF coaxial cable between the TO TV/VCR connector on the DCT2000 and the CABLE/ANTENNA IN connector on the VCR.
- Step 4:** Connect an RF coaxial cable between the TO TV connector on the VCR and the CABLE/ANTENNA IN connector on the stereo TV.
- Step 5:** Connect a stereo audio cable between the INPUT AUDIO LEFT and RIGHT connectors on the stereo TV and the AUDIO OUT ANALOG R and L connectors on the DVD.
- Step 6:** Connect a video cable between the INPUT VIDEO connector on the stereo TV and the VIDEO OUTS-VIDEO connector on the DVD or connect an S-Video cable between the INPUTS-VIDEO connector on the stereo TV and the VIDEO OUTS-VIDEO connector on the DVD. This cable configuration may be used for a mono or stereo VCR because the VCR audio and video jacks are not used. DCT2000s with the home theater option offer S-Video, an output that may provide a higher level of picture quality. If your components offer S-Video connections, they may be used in place of RCA video connections.



15 Connecting to Your Home Audio System

- Step 1:** Connect an RF coaxial cable between the cable wall outlet and the CABLE IN connector on the DCT2000.
- Step 2:** Connect the RF coaxial cable, supplied with the DCT2000, between the RF IN and TORF IN connectors on the DCT2000.
- Step 3:** Connect an RF coaxial cable between the TO TV/VCR connector on the DCT2000 and the CABLE/ANTENNA IN connector on the stereo VCR.
- Step 4:** Connect an RF coaxial cable between the TO TV connector on the stereo VCR and the CABLE/ANTENNA IN connector on the TV.
- Step 5:** Connect a stereo audio cable between the AUDIO OUT R and L connectors on the DCT2000 and the AUX IN R and L connectors on the stereo receiver or amplifier.
- Step 6:** Connect a video cable between the VIDEO connector on the DCT2000 and the INPUT VIDEO connector on the stereo VCR.
- Step 7:** Connect a stereo audio cable between the INPUT AUDIO R and L connectors on the stereo VCR and the TAPE 1 OUT R and L connectors on the stereo receiver or amplifier.
- Step 8:** Connect a stereo audio cable between the OUTPUT AUDIO R and L connectors on the stereo VCR and the TAPE 1 IN R and L connectors on the stereo receiver or amplifier.
- Step 9:** Connect a stereo audio cable between the CD IN R and L connectors on the stereo receiver or amplifier and the AUDIO OUT ANALOG R and L connectors on the DVD.
- Step 10:** Connect a video cable between the VIDEO OUT VIDEO connector on the DVD and the INPUT VIDEO connector on the TV. This cable configuration may be used for a mono or stereo TV because the TV audio and video jacks are not used. To watch TV or view VCR recordings, the TV must be tuned to the DCT2000 and VCR output channel, typically 3 or 4. To watch a DVD, the TV line input must be used. DCT2000s with the home theater option offer S-Video, an output that may provide a higher level of picture quality. If your components offer S-Video connections, they may be used in place of RCA video connections.

